



medical **CONET**
GERMANY

PROVIEW 10

Compact Patient Monitor



Most advanced touchscreen patient monitor

PROVIEW 10 adopts full capacitive touchscreen design, concise and artistic appearance. It is equipped with the accessory box which is more convenient to store the accessories. It uses the integrated ECG and SpO₂ chips technology, which has an outstanding stability and consistency. Employ integration of main board and parameter board designing scheme, increasing the monitor reliability and stability. Brand new software under Linux+QT architecture makes the interface more novel.

This patient monitor from medical CONET impresses with its performance, quality and versatility. PROVIEW 10 provides exemplary monitoring with economic rationality. This is a fast, accurate and comfortable bedside patient monitor. Its innovative technology is the ideal basis for obtaining detailed data and enable first-class visualizations.

PROVIEW 10 is ideal for general ward, recovery room, emergency department, trauma center, dentistry, maternity ward, depart of nursing and simple surgery such as endoscopic surgery.

Features and Benefits

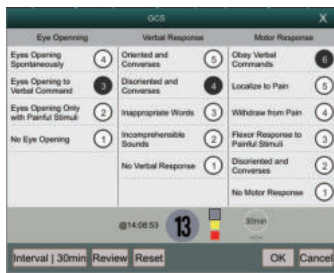
- 10.4" color TFT full touchscreen display
- Up to 3 waveforms
- Standard features include ECG, SpO₂, NIBP, respiration, temperature
- 27 kinds of Arrhythmia analysis
Drip monitor (option)
- Early Warning Scores (EWS)
- Glasgow Coma Scale (GCS)
- Oxygen cardio-respirogram (oxyCRG)
- Backlight brightness auto adjustment
- ECG leads auto switching
- 4 hours battery capacity / up to 8 hours (option)
- USB support keyboard, mouse and barcode scanner
- Wifi 2.4/5G (option) (802.11a/b/g/n)
- Defibrillator synchronization, nurse call, analog output (option)
- Extensive data storage capability for trend data, alarms, events, NIBP measurements and up to 72 hours of full disclosure
- User-centered accessory storage and Various mounting solutions
- Thermal array Recorder
- comfortable viewing angle
- Central Monitoring Station for up to 66 monitors (option)

PROVIEW 10 Compact Patient Monitor

Applications in a variety use

Automatic brightness adjustment is just part of why the PROVIEW 10 is an excellent solution for applications in a variety use. The display can also dim to minimum brightness when the light of room is turned off at night and maximize brightness when clinicians take care of a patient.

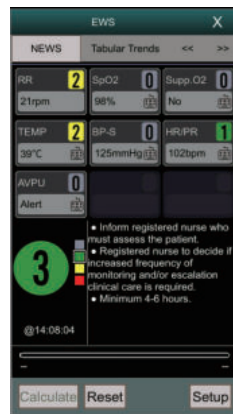
PROVIEW 10 adopts a fanless design. That means no fan blades that are likely to accumulate and distribute pathogens, helping you reduce the risk of cross-contamination.



Glasgow Coma Scale



Drip Monitor



Early Warning System

Glasgow Coma Scale (GCS)

GCS is a neurological scale that aims to give a reliable and objective way of recording the state of a person's consciousness for initial as well as subsequent assessment.

Drip Monitor (DM)

Drip Monitor (DM) module can realize the monitoring of infusion drip rate, alarm of infusion completion, and stop infusion functions.

Early Warning System (EWS)

Early Warning Scores (EWS) calculator to help clinicians track and document signs of patient deterioration, aiding faster and more informed patient care decisions.

Sophisticated Design Based On The User

- Ergonomic appearance is convenient for the users to operate and observe
- Portable design with concealed handle
- High efficient capacitive touch screen with HD visual experience
- Operate with gestures, easy and simple
- Integrated full front panel without gaps, easy to clean
- Equipped with the accessory box, the medical staff will be more convenient to store and take out the accessories
- Wide range of mounting solution fit for various needs



Accessory Storage



Easy to clean

PROVIEW 10 Compact Patient Monitor

Specifications

Physical Dimensions

Monitor Size:	288(W) x 236(H) x 168(D) mm
Weight:	Approx. 4 kg

Display

Type:	10.4" color TFT full touchscreen
Resolution:	800 x 600 pixels
Waveforms:	Up to 3 (ECG, SpO2, Resp.)

ECG

Lead set:	3-lead: I, II, III 5-lead: I, II, III, aVR, aVL, aVF, Vx 6-lead: I, II, III, aVR, aVL, aVF, Va, Vb 12-lead: I, II, III, aVR, aVL, aVF, V1 ~ V6 Auto: Identify leads automatically
Sweep speed:	6.25 mm/s, 12.5 mm/s, 25 mm/s, 50 mm/s
Bandwidth (-3 dB):	Monitor mode: 0.5 Hz to 40 Hz Operation mode: 1 Hz to 25 Hz
Input Impedence:	≥ 5 MΩ
Input signal range:	-10.0mV to +10.0mV
Electrode Offset Potential:	± 500 mV d.c.
System noise:	≤ 30 μVpp (RTI)
Recovery time after Defib.:	<10 s
CMRR:	Monitor / Operation mode ≥ 110 dB Diagnostic mode ≥ 100dB
ST analysis:	Range: -2.0 mV to +2.0 mV Accuracy: ± 0.02 mV or ± 10%, whichever is greater (-0.8 mV to +0.8 mV) Resolution: 0.01 mV
Arr analysis:	Yes, 27 classifications

Heart Rate

Range:	Adu: 10 bpm to 300 bpm Ped/Neo: 10 bpm to 350 bpm
Resolution:	1 bpm
Accuracy:	±1 bpm or ± 1%, whichever is greater

Respiration

Range:	0 rpm to 150 rpm
Resolution:	1 rpm
Accuracy:	± 2 rpm or ± 2%, whichever is greater
Lead:	I (RA-LA) or II (RA-LL)
Delay of Apnea alarm:	Adjustable delay time 10 s to 60 s

NIBP

Method:	Automatic oscillometry	
Operate mode:	Manual, Auto, STAT	
Intervals for Auto Measurement:	1, 2, 2.5, 3, 5, 10, 15, 20, 30 min	
STAT mode cycle time:	5 minutes	
Systolic Range:	Adult	30 to 270 mmHg
	Pediatric	30 to 235 mmHg
	Neonatal	30 to 135 mmHg
Diastolic Range:	Adult	10 to 220 mmHg
	Pediatric	10 to 220 mmHg
	Neonatal	10 to 110 mmHg
Mean Range:	Adult	20 to 235 mmHg
	Pediatric	20 to 235 mmHg
	Neonatal	20 to 125 mmHg
Accuracy:	Static	±3 mmHg
	Clinic (mean error)	±5 mmHg
	Standard Deviation	≤8 mmHg
PR range:	40 bpm to 240 bpm	
Cuff pressure range:	0 to 300 mmHg	
Measurement time:	20 s to 45 s (typical value)	
Inflation time for cuff:	Less than 40s (standard adult cuff)	



Temperature

Parameter:	T1, T2, TD
Probe:	YSI400 series probe (2252Ω at 25°C)
Range:	0.0°C to 50.0°C (32°F to 122°F)
Resolution:	± 0.1°C or ±1°F
Accuracy:	± 0.1°C or ±1°F (exclusive of Probe)

SpO2

Range:	0% to 100%
Accuracy (clinical):	70% to 100% ≤ 3% (SpO2 probe included) 0% to 69% (unspecified)

• PR

Range:	25 bpm to 300 bpm
Resolution:	1 bpm
Accuracy:	± 3 bpm

• PI

Range:	0.05% ~ 20.00%
Resolution:	0.01%
Accuracy:	± 0.1% or ± 10% of reading, whichever is greater

• RESP (from pleth)

Range:	0 rpm to 90 rpm
Resolution:	1rpm
Accuracy:	± 2 rpm

Drip Monitor (DM, Option)

Range:	5 ~ 200 Drops/min
Accuracy:	± 2 digit or ± 2% (whichever is greater)
Unit:	Drops/min, mL/h can be converted (1mL of conventional tube = 20 drops)
Liquid stop function:	Alarm and stop liquid when infusion is completed. Alarm when drip rate is abnormal.

Data Storage

Trend data:	180 hours, minimum resolution is 1 min 6 hours, minimum resolution is 5 s
Alarm events:	3000 groups and associated waveform
Arr. events:	3000 groups and associated waveform
NIBP:	2400 groups
Waveforms:	72 hours

Battery

Type:	Rechargeable Li-ion Battery (11.1 V, 2.5 Ah / 5.0 Ah)
Run time:	240 min (2.5 Ah), 480 min (5.0 Ah) (1 new and fully charged battery at 25°C temperature, connecting SpO2 sensor & NIBP work on AUTO mode for 30 minutes interval)
Recharging time:	Less than 6 hrs (2.5 Ah), 12 hrs (5.0 Ah)

Recorder

Type:	Thermal dot array 50 mm ± 1 mm
Paper width:	50 mm ± 1 mm
Speed:	12.5 mm/s, 25 mm/s, 50 mm/s
Trace:	Maximum 3 tracks

PROVIEW 10 Compact Patient Monitor

Specifications

Interfacing

Connectors:	1 AC power connector 1 RJ45 network connector 2 USB connector 1 VGA output connector (option) 1 multifunctional output connector (nurse call, Defib.Sync. and analog aoutput)
Wifi (option):	2.5G, 5G (protocol IEEE802.11a/b/g/n)
Accuracy:	±2 rpm or ±2% (whichever is greater)
Barcode Scanner:	Support 1D barcord (USB connector)
Keyboard & Mouse	Support

Power

Input voltage:	100 to 240 VAC (10%), 50/60Hz
Input power:	100VA

Standard accessory

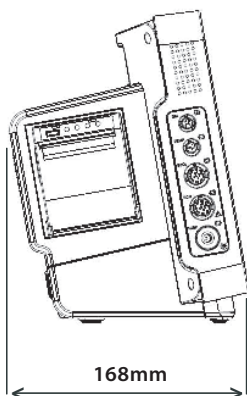
5-lead ECG patient cable	1 ea
Disposable Electrodes	10 ea
NIBP tubing, 3 m long	1 ea
Adult cuff, reusable	1 ea
SpO2 sensor extension cable (2m)	1 ea
SpO2 adult sensor, reusable	1 ea
Thermal printer	1 ea

Optional accessory

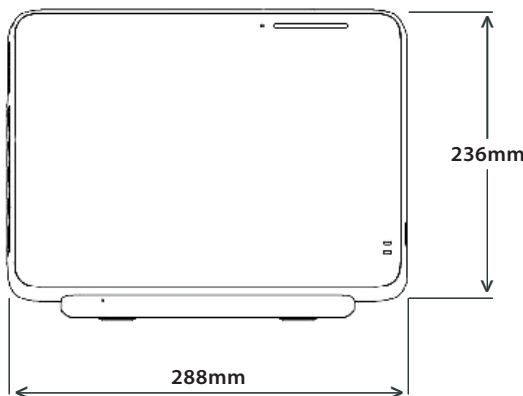
- Drip monitoring module (DM)
- Temperature probe Surface/Skin
- 3-lead ECG patient cable
- High capacity battery (8 hours)
- Wifi module
- Mobile stand
- Wall mount
- VGA output
- Nurse call
- Defi. Sync.

*Check the accessory list for more details.

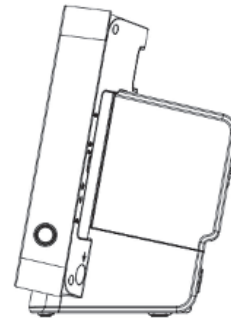
Left Side



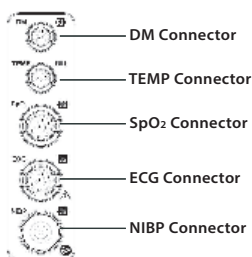
Front



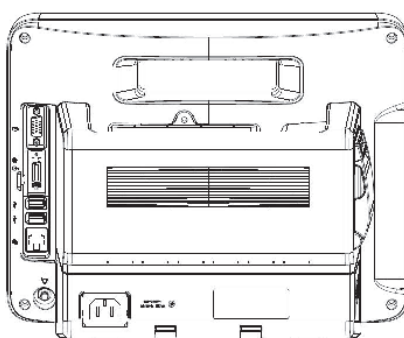
Right Side



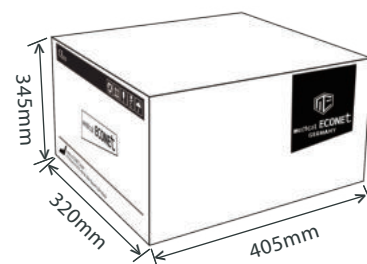
Connector



Back



Packaging



Approx. 6.0kg